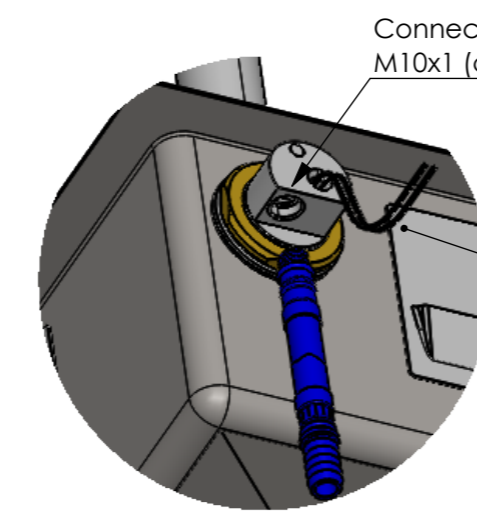
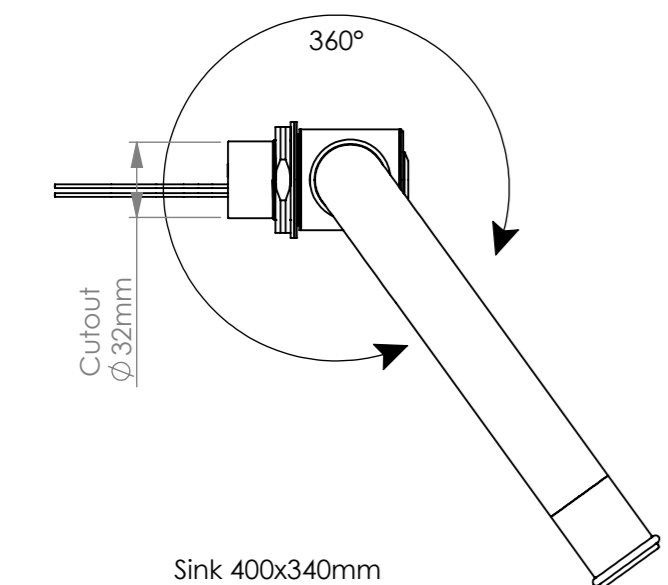
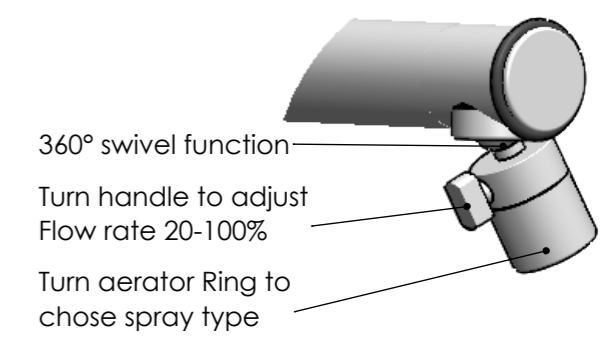
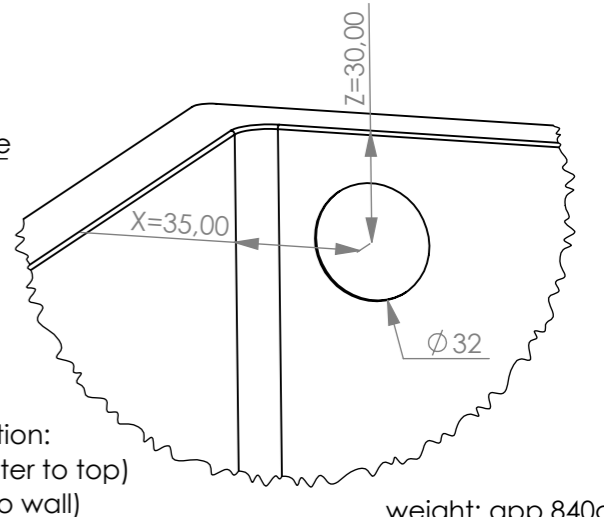


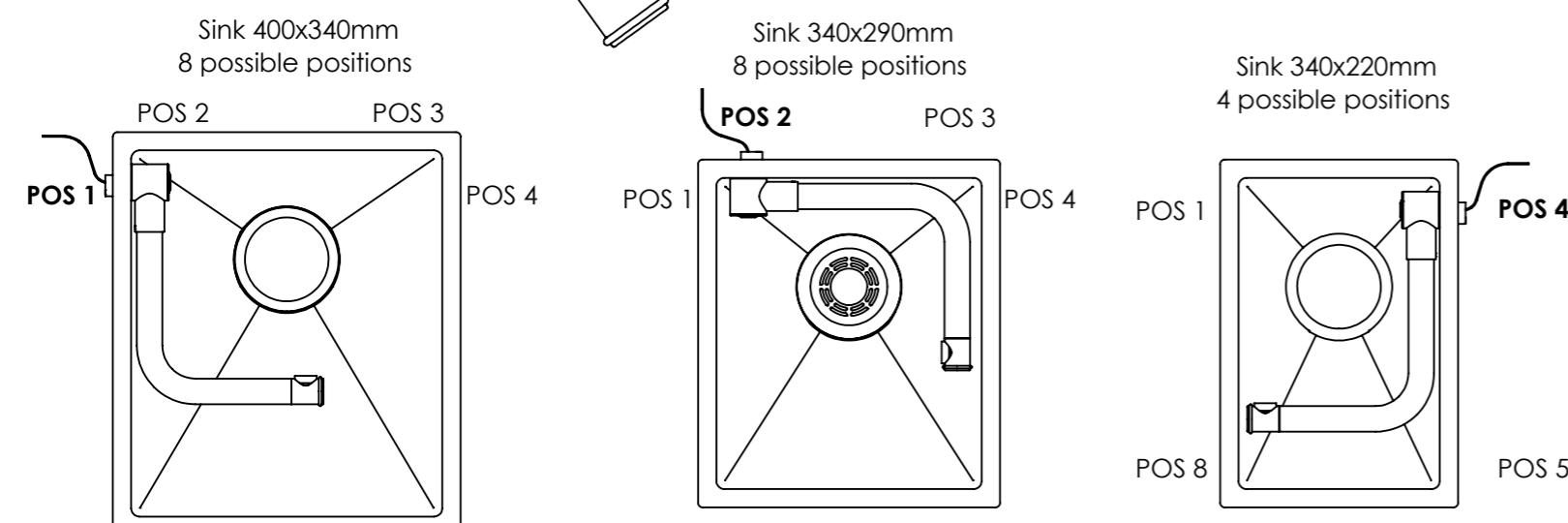
Optional Volume-Swivel Aerator with 2-Spray function




2 x 0,75mm<sup>2</sup>  
 Switch characteristics:  
 Protection Grade: IP67, IK08  
 Rating: 5A 230V AC  
 Contact Resistance: 50mΩMAX  
 Insulation Resistance: 100mΩMIN  
 Operating Temperature: -40°C -85°C



Mounting recommendation:  
 z = minimum 30mm (center to top)  
 x = app. 35mm (center to wall)



Mounting positions with Queensize Camper sinks

 <p>Queensize Camper UG        (Inhabungsbeschränkt)        Alte Mühle 22d,        22395 Hamburg, Germany</p>	Date	01.09.2023	Name	C. Weiss	Revision	V1
	Title	Coldwater Faucet				
	Project	QC-100-08				
	Document No	230901_QC-100-08_Overview_EN_V1				